

Inspired TEC HVAC

Air & Surface Purification



One-year manufacturers guarantee – details inside

Owner's Manual



TABLE OF CONTENTS

Introduction (Warnings, Records) 4

Product Contents 5

About (Specifications) 6

Installation (Tools and Requirements) 7

Installation (Metal) 8 - 9

Installation (Fiberglass) 10 - 11

Maintenance 12 - 13

Warranty Information 14

Notes 15

INTRODUCTION

Congratulations on your purchase of a Inspired TEC HVAC Air Purification System. This unit is designed to be installed into an existing HVAC system, and used as a virtually maintenance free enhancement to current air purification technology.

Please read and follow all service procedures outlined in this manual.

RECORDS

Purchase Date: _____

Model Number: _____

Serial Number: _____

Distributor Name: _____

Distributor Phone: _____

WARNINGS

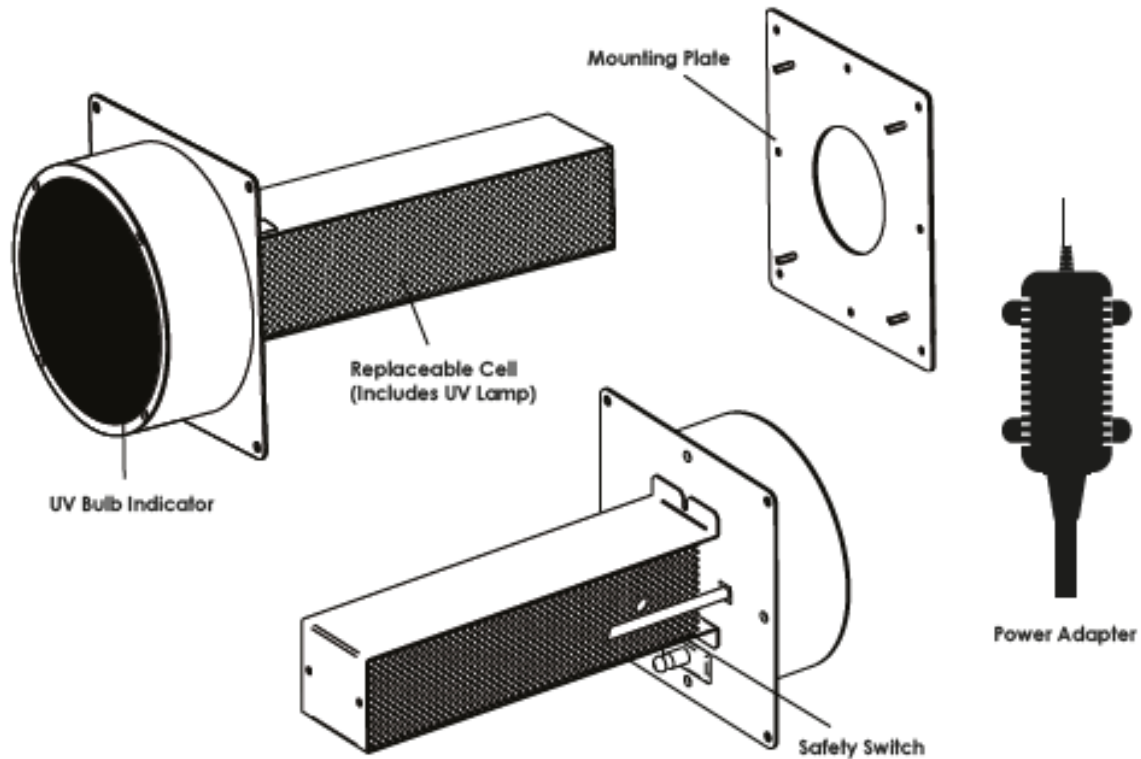


UV light in operation. Disconnect unit from power supply before servicing.
Failure to follow warnings may result in severe eye damage.



To reduce the risk of electric shock, this equipment may have a grounding type plug that has a third (grounding) pin. This plug will only fit into a grounding type power outlet. If the plug will only fit into a grounding type power outlet. If the plug does not fit into the outlet, contact qualified personnel to install the proper outlet. Do not alter the plug in any way.

PRODUCT CONTENTS



INSTALLATION HARDWARE



(8) 1/4" Self-tapping Screws



(4) Toggle Bolt Wall Anchors



(4) 2" Threaded Bolts



(4) #8-32 Hex Nuts

Replacement Parts

The list below contains all replaceable parts on your Inspired TEC HVAC Unit. If you need a replacement contact your dealer or Inspired TEC (support@inspiredtecllc.com).

- Cell
- Mounting Plate
- Base Unit

ABOUT

Inspired TEC HVAC is a new generation HVAC Air purification system. Designed to work with existing purification technology to reduce odors, smoke, and a broad spectrum of indoor air contaminants.

Inspired TEC HVAC is easily mounted into air conditioning and heating system air ducts where many problem can start. When the HVAC system is in operation, Inspired TEC HVAC creates an Advanced Oxidation Process consisting of hydroperoxides, superoxide-ions, and a safe low level ozone-all friendly oxidizers that revert back to oxygen and hydrogen after the oxidation of a pollutant.

Used in conjunction with other current purification systems, Inspired TEC HVAC can boost effectiveness and help distribute their benefits throughout your building.

Specifications

Features:

- Low level Ozone production: 0.04 ppm maximum
- Replaceable PCO Cell

Electrical:

- 120VAC 60Hz AC line operation, depending on model
- 15W (IT3000) or
- 20W (IT6000) power consumption

Mechanical:

- Distribution via air handler

Size: (HxWxD)

- IT900: 8" x 8" x 7"
- IT3000: 8" x 8" x 11"
- IT6000: 8" x 8" x 16.75"

Weight:

- IT900: 2.6 lbs.
- IT3000: 2.8 lbs.
- IT6000: 3.0 lbs.

Coverage:

- IT900: up to 2000ft²
- IT3000: up to 5000ft²
- IT6000: 6000ft²

Warranty:

- 1 Year

INSTALLATION

Recommended Installation Tools



3 1/2" Hole Saw



Drill/Power Driver



Phillips Screwdriver



3/8" Drill Bit
(Fiberglass Installation)



11/32" Wrench



1/4" Nut Driver Bit

You May Also Need



Utility Knife



Tin Snips
(Metal Installation)

Installation Requirements

1. Unit should be installed after the air handler in the HVAC system.
2. The ductwork around the installation area should be clean and dry to insure proper adhesion of the gasket materials and any tape used.
3. An approximate 3.5" (8.89 cm) opening will need to be cut into the existing duct work to install the unit properly.

Electrical Requirements (110 V Units Only)

To use the 120 V plug, be sure to locate the unit within 6 ft. of a standard 120 V grounded outlet. Long term use of an extension cord is not recommended due to safety considerations.



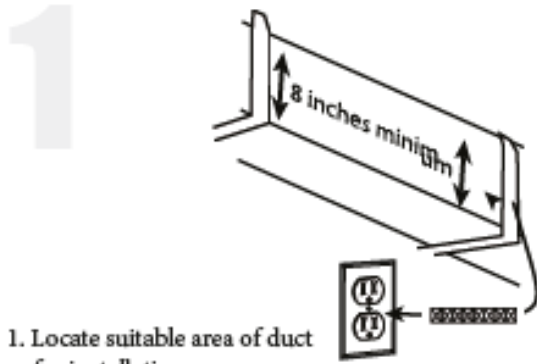
Hardwiring Requirements (All Units)

Permanent wiring of the unit into your HVAC system, or installations using a 220 V plug (not included), should be done by a licensed HVAC Installer or Electrical Contractor only.

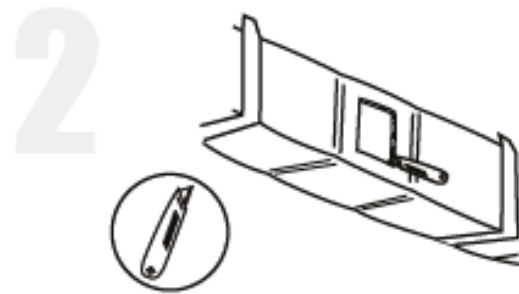
**WARNING: UNIT IS EITHER 120 V or 220 - 240 V ONLY.
CHECK SPECIFICATIONS ON LABELING BEFORE INSTALLING.**

For 110 V units: Black = L1, White = Neutral, Green = Ground
For 220 V units: Black = L1, White = Neutral, Green = Ground
For International Units: Brown = L1, Blue = L2, Green w/yellow stripe = Ground

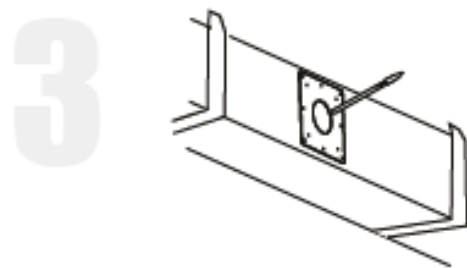
INSTALLATION (metal ductwork)



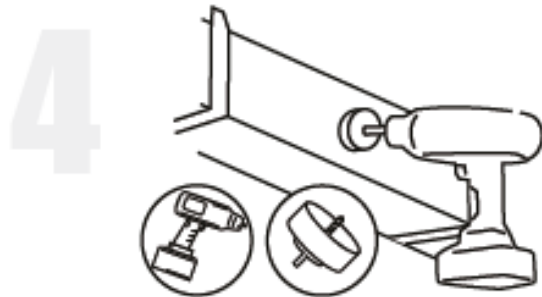
1. Locate suitable area of duct for installation.



2. Cut away insulation to expose metal duct. (If needed)

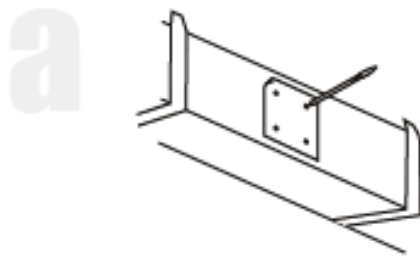


3. Mark location for 3.5" opening using either the Mounting Plate or included template.

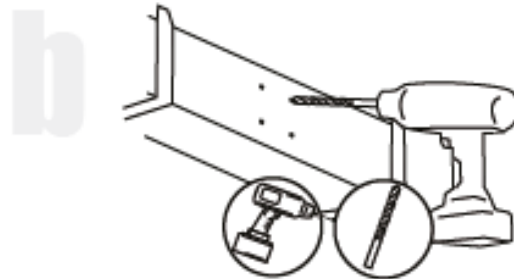


4. Cut hole in duct using 3.5" Hole Saw.

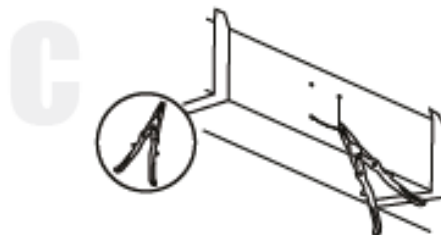
Alternative Cutting Method



a. Using the template, mark 4 holes on the duct.

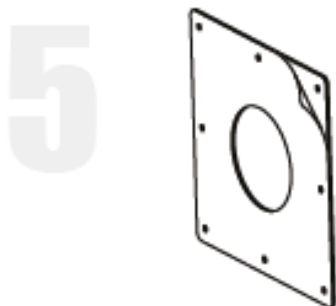


b. Drill holes where marked

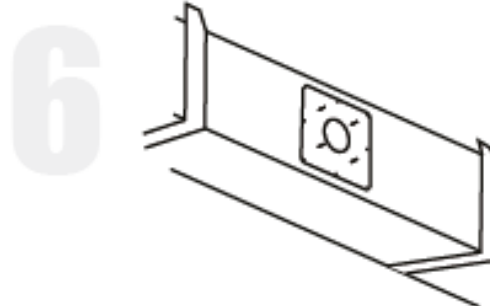


c. Cut holes using Tin Snips

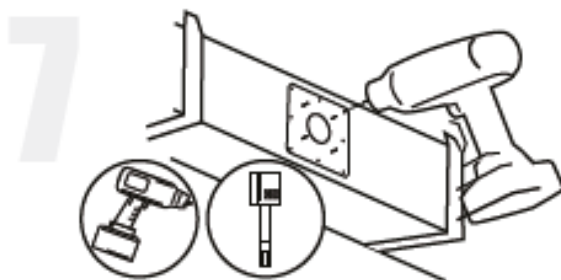
INSTALLATION (metal ductwork)



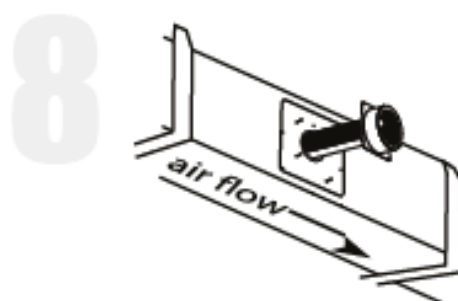
5. Remove backing from Mounting Plate Adhesive Gasket.



6. Center openings and press mounting plate onto duct. The Adhesive Gasket will hold the Mounting Plate in place.



7. Secure the mounting plate using (8) Self-tapping Screws.

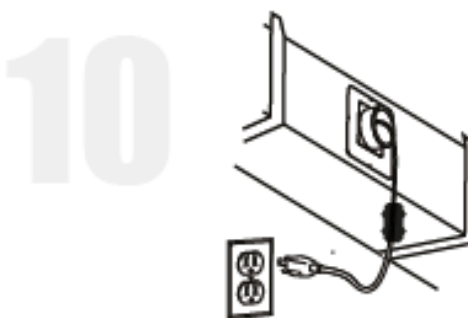


8. Insert unit into opening. Be sure the air will pass through the PCO Cell's Honeycomb Matrix.

NOTE: Airflow Indicator is located on probe base.



9. Secure the unit to the Mounting Plate with (4) #8-32 Nuts



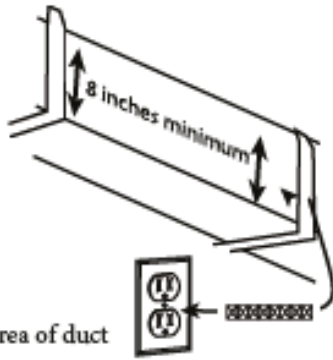
10. Plug unit into working Power Receptacle.



Hard wiring unit into HVAC System should be done by a licensed installer or electrical contractor only.

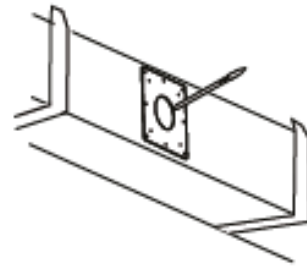
INSTALLATION (metal ductwork)

1



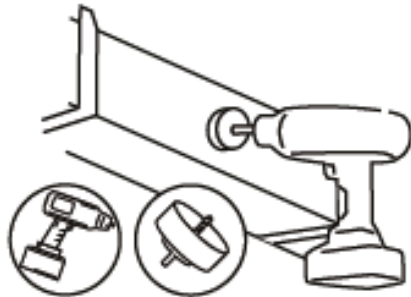
1. Locate suitable area of duct for installation.

2



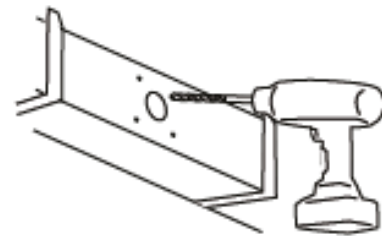
2. Mark location for 3.5" opening using either the Mounting Plate or included Template. Also, mark the locations of 4 screws in corners.

3



3. Cut hole in duct using 3.5" Hole Saw.

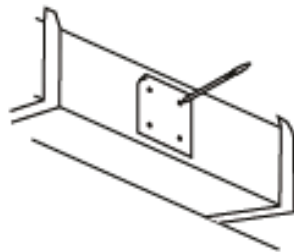
4



4. Drill 4 holes (at corner screw locations) using a 3/8" drill bit.

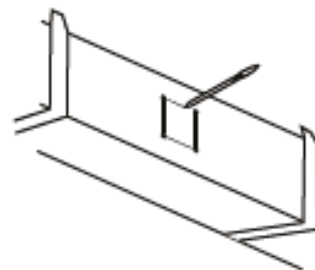
Alternative Cutting Method

a



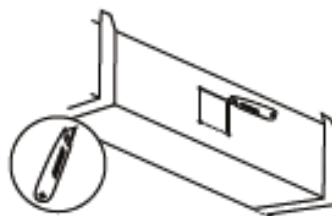
a. Using the template, mark 4 holes on the duct.

b



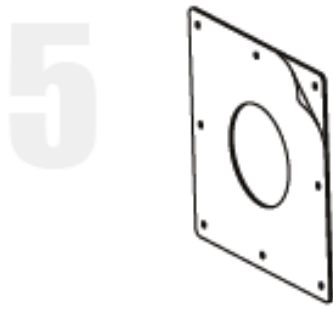
b. Draw a line between each corner mark.

c

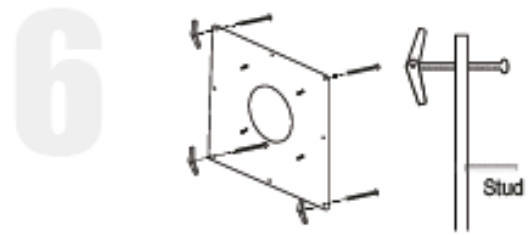


c. Cut holes using Tin Snips

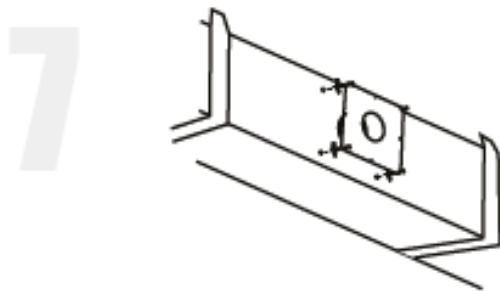
INSTALLATION (metal ductwork)



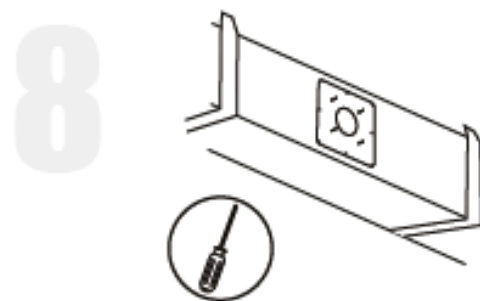
5. Remove backing from Mounting Plate Adhesive Gasket.



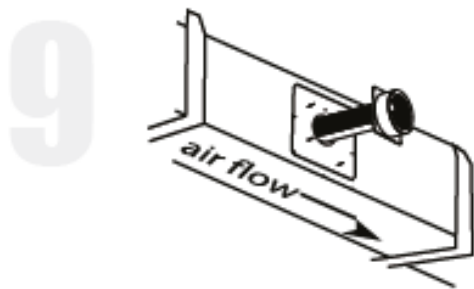
6. Insert (4) 2" Threaded Bolts into screw holes at corners of mounting plate. Attach (4) Toggle Bolt Anchors to ends of threaded bolts.



7. Insert (4) Toggle Bolts into 3/8" holes in duct. Be sure Toggle Anchors open after installing.

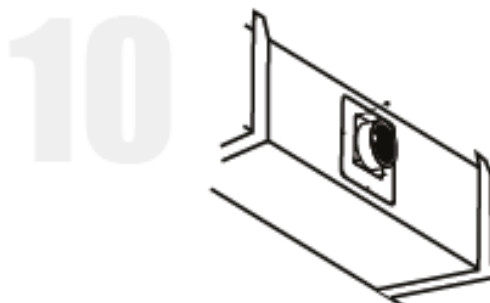


8. Center large opening in Mounting Plate over 3.5" opening in duct and press plate to duct. The adhesive gasket will hold the mounting plate into place. Tighten Toggle Bolts. (DO NOT OVERTIGHTEN)

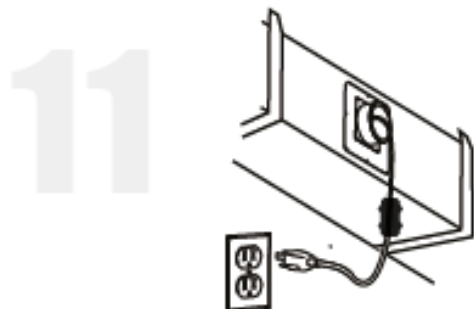


9. Insert unit into opening. Be sure the air will pass through the PCO Cell's Honeycomb Matrix.

NOTE: Airflow Indicator is located on probe base.



10. Secure the unit to the Mounting Plate with (4) #8-32 Nuts




11. Plug unit into working Power Receptacle.

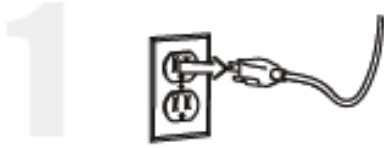


Hard wiring unit into HVAC system should be done by a licensed installer or electrical contractor only.

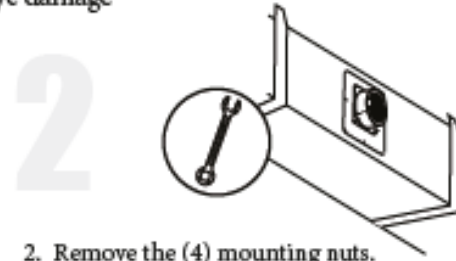
MAINTENANCE

Changing the PCO Cell

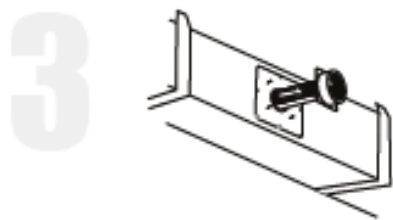
 **WARNING:** UV Light in operation. Disconnect unit from power supply before servicing.
Failure to follow warnings may result in severe eye damage



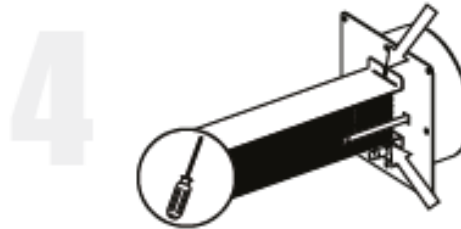
1. Unplug unit if unit is hard wired, be sure the power to the unit is off.



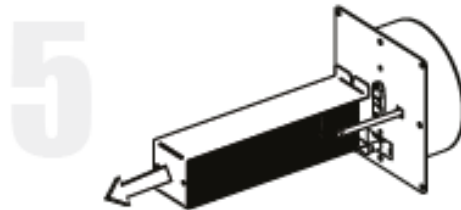
2. Remove the (4) mounting nuts.



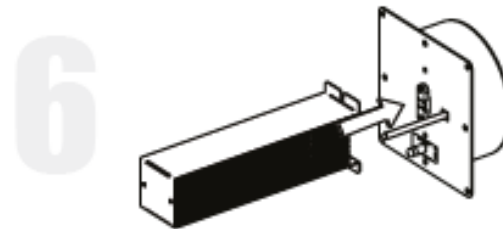
3. Remove the unit from the mounting plate.



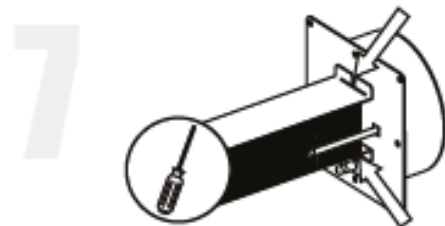
4. Remove the (2) screws holding the PCO Cell.



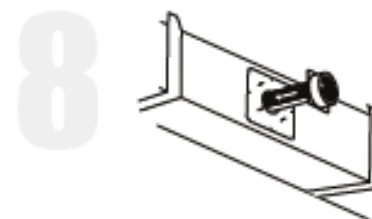
5. Separate the used PCO Cell from the base unit and dispose of properly.



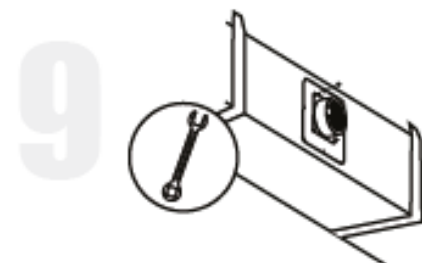
6. Plug the new PCO Cell into the base unit.



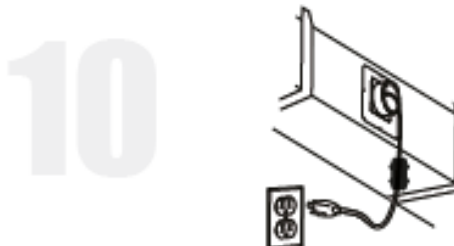
7. Secure with (2) screws.



8. Insert the unit into the mounting plate.



9. Secure units with (4) nuts.



10. Reconnect power supply.

MAINTENANCE

Maintenance / UV Lamp Indicator

Your Inspired TEC HVAC unit requires no periodic maintenance beyond normal replacement of the PCO cell every 3 years.

Note: For optimal performance, we recommend the replacement of the PCO cell every 3 years, especially if the UV lamp appears to be operating normally.

The UV lamp operation indicator on the face of the unit will glow when the UV lamp is in use. If the indicator does not glow and the unit has power, the PCO cell should be replaced.

UV Lamp Indicator



Disposal of the PCO Cell

Please do not throw a used PCO Cell in the garbage. The special germicidal UVX bulb used in the Inspired TEC HVAC contains a very small amount of mercury. You may return your used PCO Cell to Inspired TEC for proper disposal.

Send the used cell post paid to:

Inspired TEC LLC.
6118 Kingsport Hwy 36
Gray, TN 37615



WARRANTY Information

Your Inspired TEC HVAC Air Purifier is warranted to be free from all defects in material and workmanship in normal use for a period of (1) year from date of purchase.

The warranty is granted only to the original purchaser. The warranty is subject to the following provisions.

This warranty does not cover parts of the Air Purifier that require replacement under normal use. Although the PCO cell requires periodic replacement, the cell is warranted for the same 1 year period as the purifier. Any damages or malfunctions caused by negligence, abuse, or use not in accordance with the Owner's Manual are not covered by this warranty. Likewise, any defects or damages caused by unauthorized service or the use of other than Genuine Inspired TEC parts are not covered.

Inspired TEC will, at its option, repair or replace a defective Air Purifier or part(s) for the Air Purifier that is covered by this warranty. As a matter of warranty policy, Inspired TEC will not refund the customer's purchase price.

To obtain warranty service you must return the defective Air Purifier or Air Purifier parts along with proof of purchase to the Inspired TEC Authorized Warranty Station. All transportation charges on parts, or units, submitted under this Warranty shall be borne by purchaser. Unless this Warranty is expressly renewed or extended by Inspired TEC, any repaired or replaced part of unit shall be warranted to the original purchaser only for the length of the unexpired portion of the original warranty. For the location of the nearest Inspired TEC Authorized Warranty Station or for service information in the United States or Canada, please visit us online at:

Inspiredtecllc.com

Further Limitations And Exclusions Are As Follows

Any warranty that may be implied in connection with your purchase or use of the Air Purifier, including any warranty of merchantability or any warranty for Fitness For A Particular Purpose is limited to the duration of this warranty. Some states do not allow limitations on how long an implied warranty lasts, so the above limitations may not apply to you.

Your relief for the breach of this warranty is limited to the relief expressly provided above. In no event shall Inspired TEC be liable for any consequential or incidental damages you may incur in connection with your purchase or use of the Air Purifier. Some states do not allow the exclusion or limitation of incidental or consequential damages, so the above limitation or exclusion may not apply to you.

This Warranty gives you specific legal rights, and you may also have other rights which vary from state to state.

Registration

Please register your new Inspired TEC Air Purification product within 10 days of purchase by filling out and returning the enclosed warranty registration card. Registering your new Inspired TEC product entitles you to the most up-to-date Inspired TEC product warranty and promotion information.

NOTES:

Inspiredtecllc.com

